

4

3

2

1

F

F

E

E

D

D

C

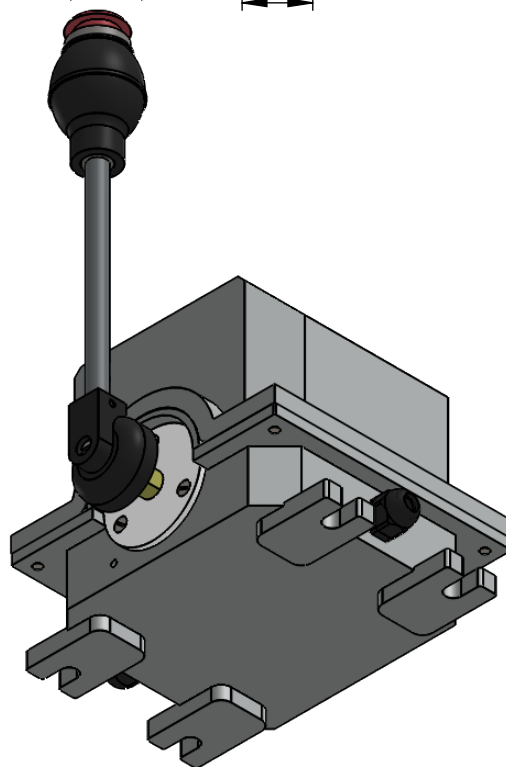
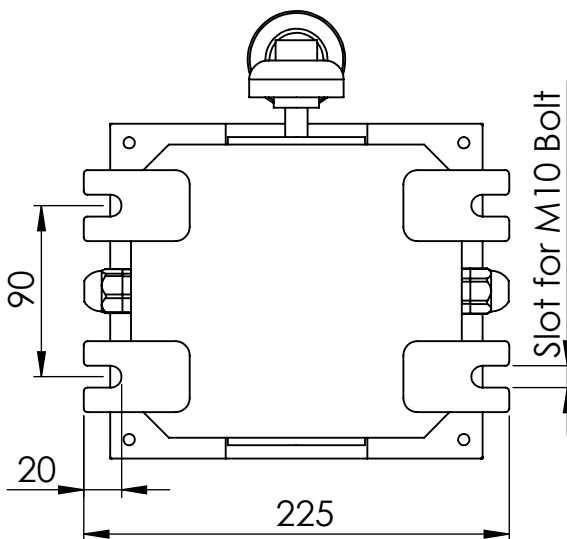
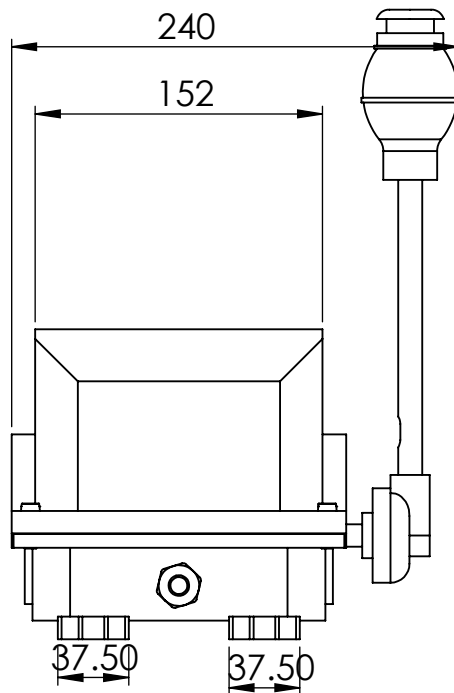
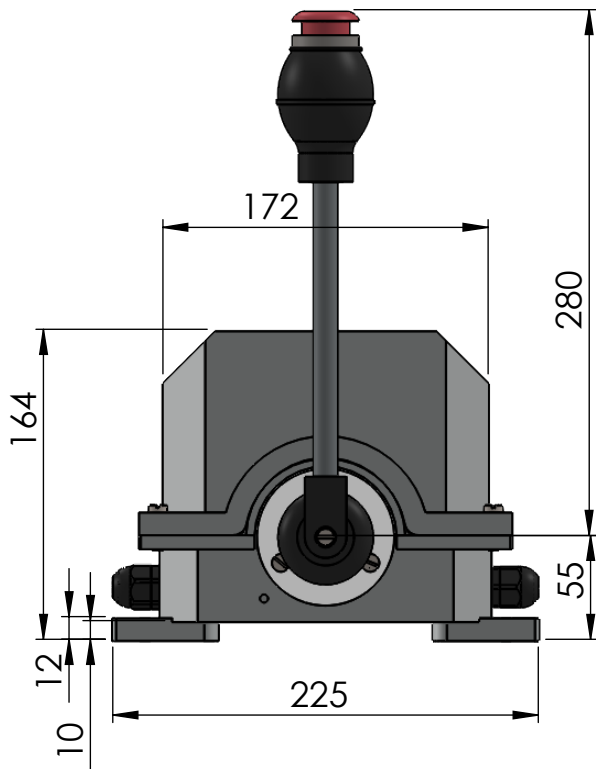
C

B

B

A

A



**IP-54 Enclosure
Maximum Number of Cams: 8**

UNLESS OTHERWISE SPECIFIED:
DIMENSIONS ARE IN MILLIMETERS
SURFACE FINISH:
TOLERANCES:
LINEAR:
ANGULAR:

FINISH:

DEBURR AND
BREAK SHARP
EDGES

DO NOT SCALE DRAWING

REVISION

Speedage Engineers (India) Pvt. Ltd.

	NAME	SIGNATURE	DATE	CONTACT
DRAWN	Himanshu Tiwari			
CHK'D				
APPV'D	J.A. Raichandani			9810173991
MFG				

TITLE:

Master Controller
CMAI-1 DMH

THIS DRAWING IS THE PROPERTY OF **SPEEDAGE ENGINEERS (INDIA) PVT. LTD.** & MUST NEITHER BE COPIED NOR BE MADE KNOWN TO ANY OTHER PARTY WITHOUT THEIR PRIOR WRITTEN CONSENT.

MATERIAL:

Enclosure Al.

DWG NO.

SAE/DWG/CMAI1DMH/01

A4

WEIGHT:

SCALE:1:4

SHEET 1 OF 1

4

3

2

1