

MASTER CONTROLLER



MASTER CONTROLLER


SPEEDAGE
ENGINEERS (INDIA) PVT. LTD.

SAFETY
= IS =
PRICELESS

CONTROL GEAR EQUIPMENT FOR EOT CRANES

speedageengineers.com



Master Controller

Speedage Master controllers / Cam controllers are used for remote operation (cabin operation) for contactor equipment controlling Heavy duty E.O.T. Cranes & Rolling mills for power and control circuit up to 500volts A.C., 50cycles at 40Amps. This can be used with continuous current at 2.5Amps, 220 Volts when handling inductive loads

Heavt Duty Master Controllers (IP-41 Eclosures)

Speedage Master Controller housed in sheet steel enclosure provided with an easily removable cover with ample area for easy maintenance. The cam shaft is mounted on Phenolic fabric based part that part fixed on the walls of the housing.

The cams are made of high quality synthetic material and are fixed on square spindle which is moved by controller handle. The cams are cut correspond to switching program and have long life. The contacts are mounted on both sides of cam shaft. Cable entry can be arranged from bottom of the controller.

Mill Duty Master Controller (IP - 54 Enclosure)

The master controllers are designed for mill duty application, housed in IP - 54 degree of protection. The housing is made of cast Aluminium base and cast Aluminium cover. The base and cover have machined surface to protect against dirt and dust.

Double (Dual) Master Controller

The Master Controller is designed to control both motion of crane by single stick (Handle) which governs both master controllers. Special concentration required to handle such master controllers. Dual Master Controller can be supplied in IP 41/IP 54 enclosures.

Master Controllers can also be supplied with following arrangements:

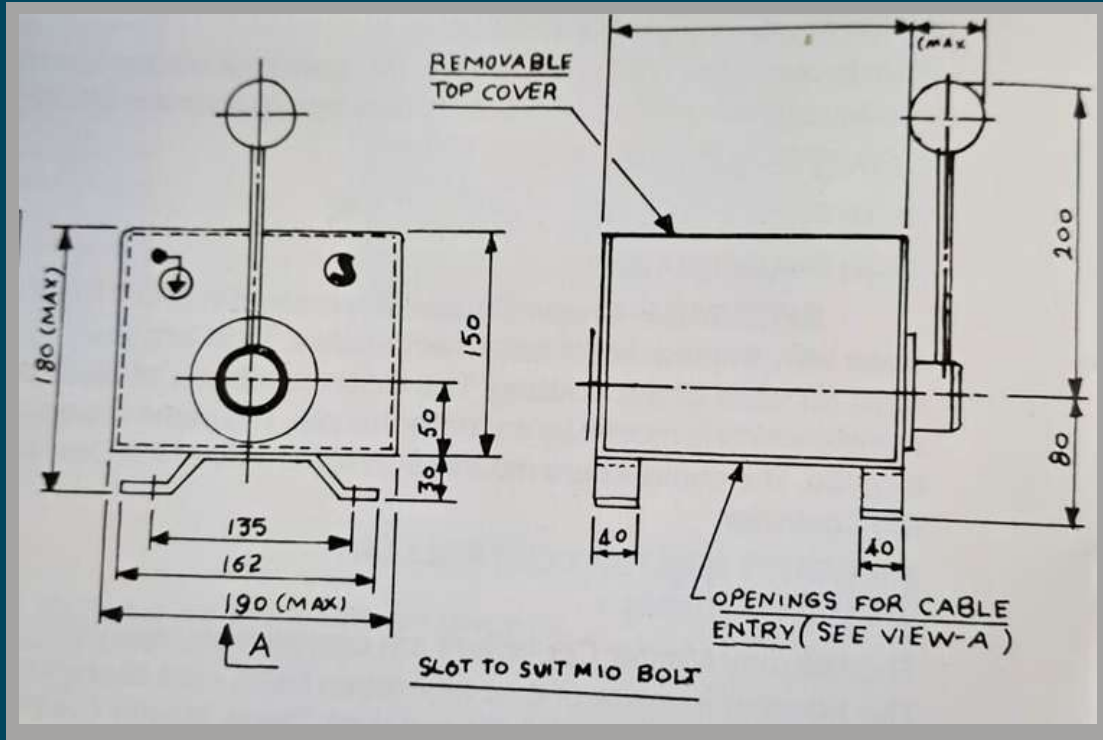
1. Deadman's handle control
2. Spring return arrangement

Salient Features

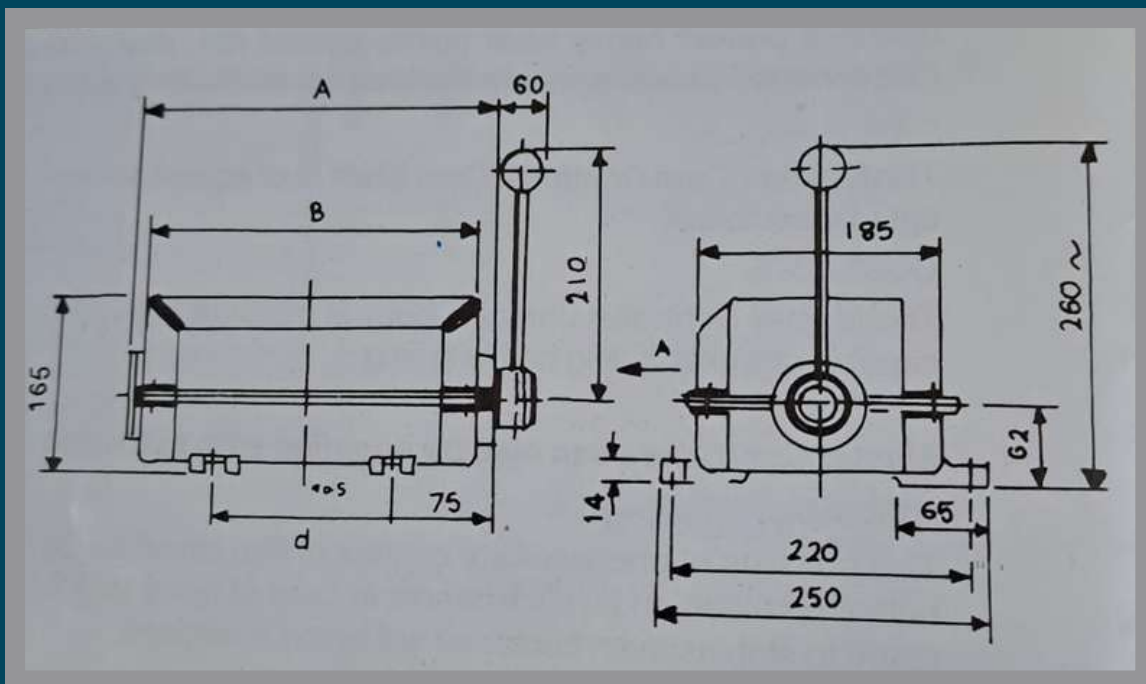
- Long life
- Easy Installation
- Simple Maintenance
- Wide Electricals Clearance



Master /Cam Controllers, Installation Dimensions (IP-41 Enclosures)



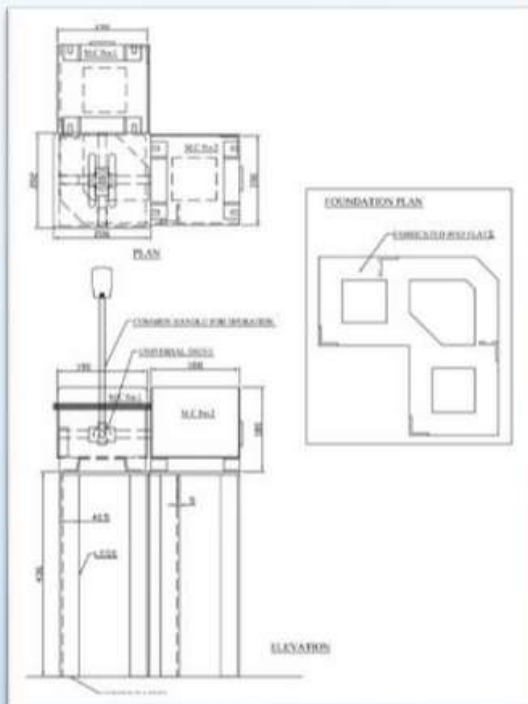
Master /Cam Controllers Installation Dimensions (IP-54 Enclosures)





Master /Cam Controllers' Size

Master Controller's Size	d	l	L	L1	No. of Cams (max)	No. of Cable entries	
A	100	135	205	212	6	1	1
B	150	190	260	267	12	2	2
C	215	250	320	327	18	3	3





Safety is Priceless

Safety is priceless. We produce high quality original Equipment for EOT cranes to assure safety. When we use high quality equipment in our EOT cranes, we actually save human and financial resources by eliminating the unnecessary maintenance, time and cost. It reduces the machine downtime and enhances overall production of the plant. Speedage Engineers high quality equipment for EOT cranes offers fail-safe original equipment for EOT cranes with better durability and reliability.

Speedage Engineers India

More than 25 years, Speedage Engineers (India) Pvt. Ltd., has been one of the innovative and leading original equipment manufacturer of control gear equipment for EOT cranes. The product development and manufacturing philosophy of Speedage Engineers is based on "Safety is priceless".

We ensure to deliver high quality and safe product to our customers. Speedage maintains product quality leadership by constantly innovating and improving the products in response to customer requirements.

Our customer centric approach allowed us to serve our clients with high quality and full satisfaction.

Product Applications for various industries

EOT Cranes; Steel, Sugar, Fertilizers, Cement, Power, Heavy Engineering, Automobile Industries, Ports, and many other industries where Heavy material handling required.

Product Range

ELOPHY Thrusters, ELOPHY Brakes, Thrusters, Thruster Brakes, Master Controller, Resistance Boxes, Limit Switches, Cable Trolleys, Pendant Push Button stations, Rotating Geared Limit Switch, Radio Remote, Controls, Anti Collision Devices, Geared Couplings, Brake Drum Couplings.

Speedage Engineers (India) Pvt. Ltd.

C-94 DDA Sheds, Okhla Industrial Area, Phase-I, New Delhi-110020

Phone: 88 261 523 17, 011-41707718, 417077702/03 Email: dprasad.speedageengineers@gmail.com

speedageengineers.com