

4 3 2 1

F

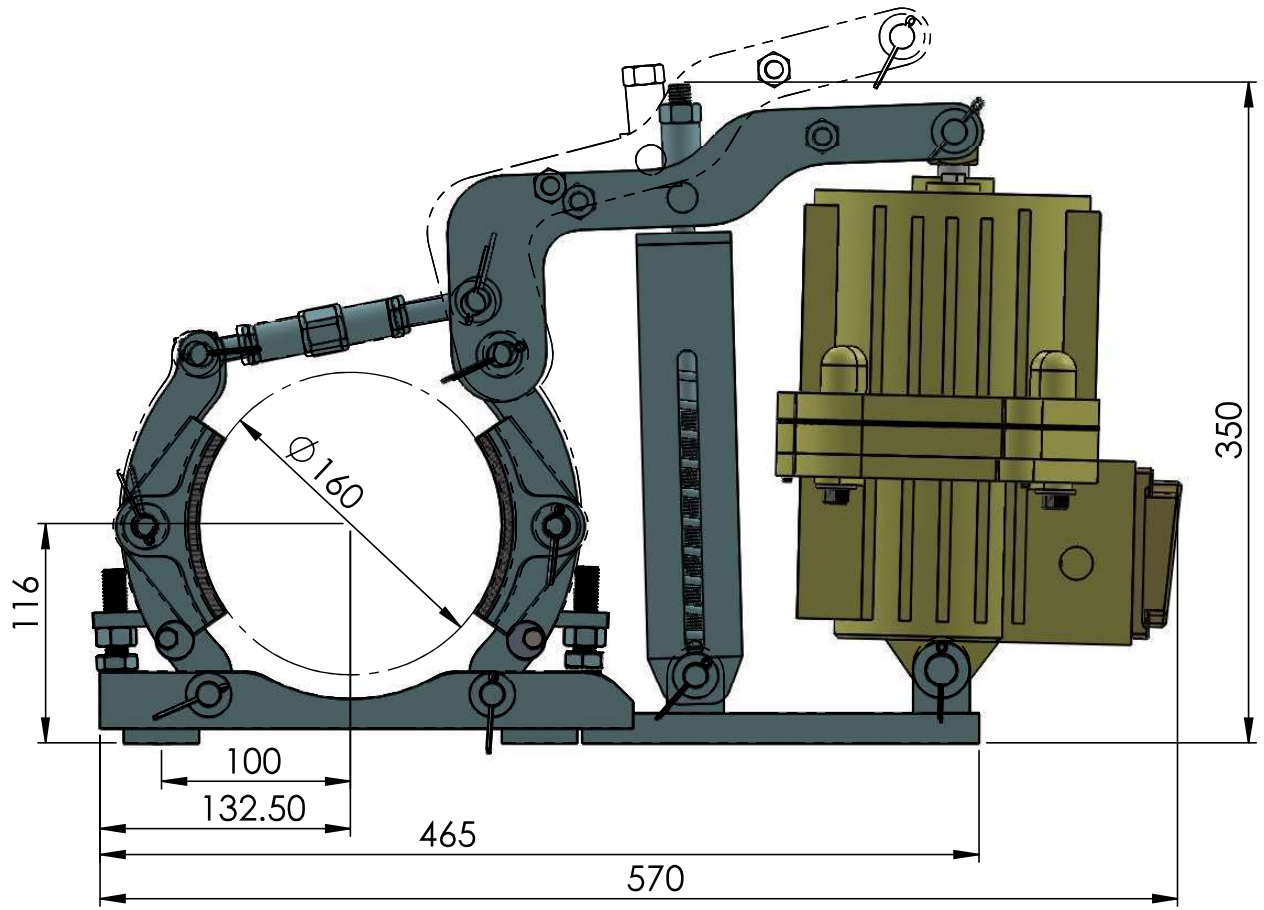
F

E

E

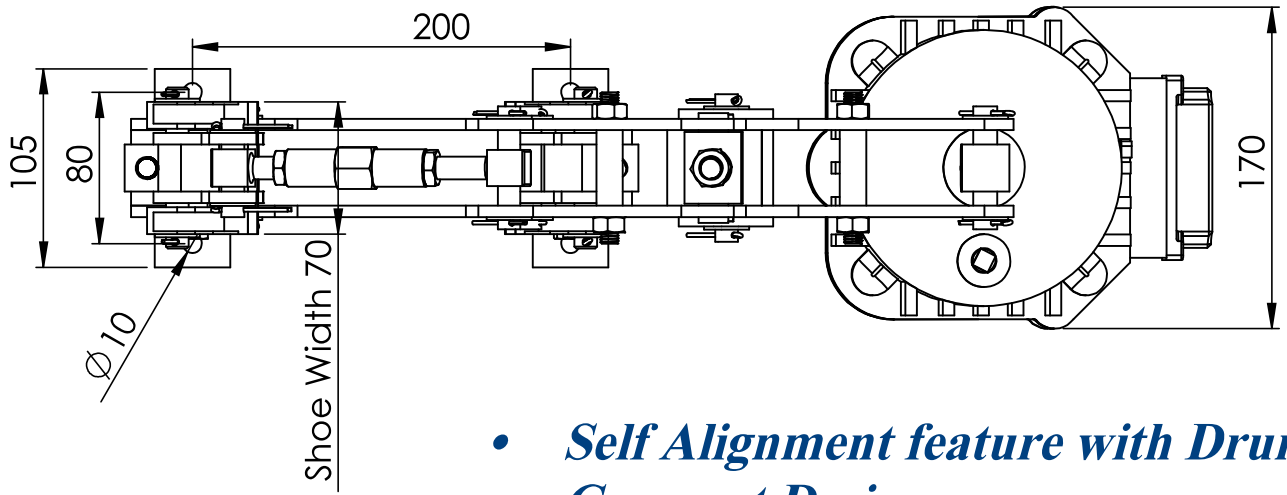
D

D



C

C



B

B

- **Self Alignment feature with Drum**
- **Compact Design**

UNLESS OTHERWISE SPECIFIED:
DIMENSIONS ARE IN MILLIMETERS
SURFACE FINISH:
TOLERANCES:
LINEAR:
ANGULAR:

FINISH:

DEBURR AND
BREAK SHARP
EDGES

DO NOT SCALE DRAWING REVISION

Speedage Engineers (India) Pvt. Ltd.

	NAME	SIGNATURE	DATE	CONTACT
DRAWN	Himanshu Tiwari			
CHKD				
APPVD	J.A. Raichandani			9810173991
MFG				

TITLE:
ELOPHY Brake 160-23
SEB 160-23

A Q.A. MATERIAL:

THIS DRAWING IS THE PROPERTY OF **SPEEDAGE ENGINEERS (INDIA) PVT. LTD.** & MUST NEITHER BE COPIED NOR BE MADE KNOWN TO ANY OTHER PARTY WITHOUT THEIR PRIOR WRITTEN CONSENT.

DWG NO. **SAE/DWG/ELOPHY/B160-23/02**
SCALE: 1:4
SHEET 1 OF 1

4 3 2 1

A

A